

# Capsule type pressure gauge

## Model N5500

According EN 837-3  
 Nominal size 100 mm or 160 mm  
 Accuracy: Class 1,6

### Features

- Stainless steel construction
- Suitable for corrosive environments
- Usable to full scale
- Overload protection up to 10 times F.S.
- Adjustment at back side of the case

### Ranges

-6 ... 0 mbar up to 0 ... 400 mbar  
 -2,5 ... 0 in. H<sub>2</sub>O up to 0 ... 150 in. H<sub>2</sub>O

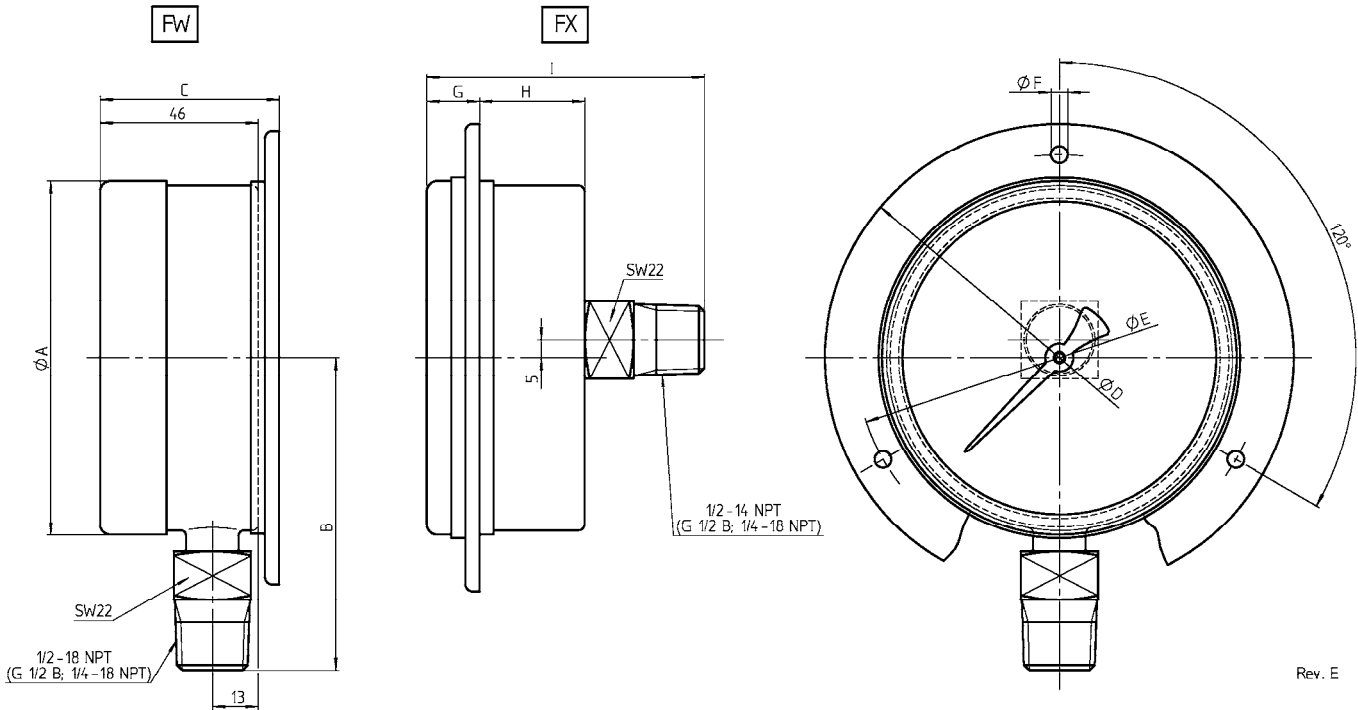
### Applications

Chemical and petrochemical industry  
 Air conditioning  
 Food and beverage industry  
 Machine and apparatus construction



Technical specification	N5500															
	100	160														
Dial size in mm	100	160														
Construction	Open front cylindrical case, optional with blow out disc at the back															
Zero adjustment	Externally, at the back side of the case															
Measuring principle	Capsule															
Range in mbar	<table style="display: inline-table; border: none;"> <tr> <td style="border: none;">25</td><td style="border: none;">40</td><td style="border: none;">60</td><td style="border: none;">100</td><td style="border: none;">160</td><td style="border: none;">250</td><td style="border: none;">400</td><td style="border: none;">-25/0</td><td style="border: none;">-40/0</td><td style="border: none;">-60/0</td><td style="border: none;">-100/0</td><td style="border: none;">-160/0</td><td style="border: none;">-250/0</td><td style="border: none;">-400/0</td> </tr> </table>		25	40	60	100	160	250	400	-25/0	-40/0	-60/0	-100/0	-160/0	-250/0	-400/0
25	40	60	100	160	250	400	-25/0	-40/0	-60/0	-100/0	-160/0	-250/0	-400/0			
Overpressure limit	Continues service up to maximum rating, alternating service up to 90 % F.S. Optional overrange protected up to 10 times F.S. (max. 2 bar)															
Pressure type	Gauge, vacuum and compound															
Process connection	G ¼ B male, G ½ B male, M20x1,5 male ¼ NPT male, ½ NPT male, according ANSI/ASME B1.20.1/EN 837 Others on request															
Connection location	Lower, back															
Material	<table style="display: inline-table; border: none;"> <tr> <td style="border: none;">Pressure connection</td><td style="border: none;">316 series stainless steel (1.4571 or 1.4401)</td> </tr> <tr> <td style="border: none;">Capsule</td><td style="border: none;">316 series stainless steel (1.4571 or 1.4401)</td> </tr> <tr> <td style="border: none;">Case/bayonet ring</td><td style="border: none;">Stainless steel 304 (1.4301), optional 316 (1.4401)</td> </tr> <tr> <td style="border: none;">Window</td><td style="border: none;">Instrument glass, optional laminated safety glass or acrylic glass</td> </tr> <tr> <td style="border: none;">Dial</td><td style="border: none;">Aluminum, black markings on white background</td> </tr> <tr> <td style="border: none;">Pointer</td><td style="border: none;">Aluminum, black, optional red set hand or maximum pointer</td> </tr> <tr> <td style="border: none;">Movement</td><td style="border: none;">Nickel plated brass</td> </tr> </table>		Pressure connection	316 series stainless steel (1.4571 or 1.4401)	Capsule	316 series stainless steel (1.4571 or 1.4401)	Case/bayonet ring	Stainless steel 304 (1.4301), optional 316 (1.4401)	Window	Instrument glass, optional laminated safety glass or acrylic glass	Dial	Aluminum, black markings on white background	Pointer	Aluminum, black, optional red set hand or maximum pointer	Movement	Nickel plated brass
Pressure connection	316 series stainless steel (1.4571 or 1.4401)															
Capsule	316 series stainless steel (1.4571 or 1.4401)															
Case/bayonet ring	Stainless steel 304 (1.4301), optional 316 (1.4401)															
Window	Instrument glass, optional laminated safety glass or acrylic glass															
Dial	Aluminum, black markings on white background															
Pointer	Aluminum, black, optional red set hand or maximum pointer															
Movement	Nickel plated brass															
Accuracy	Class 1,6 (1,6 % F.S.)															
Permissible	<table style="display: inline-table; border: none;"> <tr> <td style="border: none;">Ambient temperature</td><td style="border: none;">-25 ... 60 °C</td> </tr> <tr> <td style="border: none;">Medium temperature</td><td style="border: none;">Max. 100 °C</td> </tr> <tr> <td style="border: none;">Storage temperature</td><td style="border: none;">-40 ... 60 °C</td> </tr> <tr> <td style="border: none;">Effect</td><td style="border: none;">Max. 0,5 % / 10 K</td> </tr> </table>		Ambient temperature	-25 ... 60 °C	Medium temperature	Max. 100 °C	Storage temperature	-40 ... 60 °C	Effect	Max. 0,5 % / 10 K						
Ambient temperature	-25 ... 60 °C															
Medium temperature	Max. 100 °C															
Storage temperature	-40 ... 60 °C															
Effect	Max. 0,5 % / 10 K															
Protection according EN 60 529/IEC 529	IP45															
Mounting	Standard stem, optional flush or surface, others on request															
Weight in kg	0,8	1,2														
Accessories, options	Valves, pressure limiters															

## General dimensions in mm



Rev. E

	Range	A	B	C	D	E	F	G	H	I
NG100		102	88	51	132	116	5,5	14	37	75
NG160	< 25 mbar	162	119	51	196	178	6,5	15	32	85
	≥ 25 mbar	162	119	61	196	178	6,5	15	32	85

## Order information

Size	System material	Process connection	Connection orientation	Range	Engineering units	Case material	Options
(100) 100 mm	(S) Capsule and connection 316 series stainless steel (1.4571 or 1.4401)	(02) ¼ NPT male	(L) Lower	-6/ 0 <sup>1)</sup>	(MBAR)	(=) Standard	(NH) Tagging wired
(160) 160 mm		(04) ½ NPT male	(B) Back	-10/ 0 <sup>1)</sup>		(YW) Case material 316 (1.4401)	(CS) Dual scale
		(13) G ¼ B male		-16/ 0 <sup>1)</sup>			(DA) Dial marking
		(15) G ½ B male		-25/ 0			(RB) Blow out disc
		(16) M20x1,5 male		-40/ 0			(PD) Acrylic glass
				-60/ 0			(SG) Safety glass
				-100/ 0			(HP) Overpressure load 10 times (max. 2 bar)
				-160/ 0			(SH) Red set hand stationary
				-250/ 0			(FW) Back flange
				-400/ 0			(FX) Front flange (only back connection)
				0/ 6 <sup>1)</sup>			
				0/ 10 <sup>1)</sup>			
				0/ 16 <sup>1)</sup>			
				0/ 25			
				0/ 40			
				0/ 60			
				0/ 100			
				0/ 160			
				0/ 250			
				0/ 400			
				<sup>1)</sup> only size 160 mm			
				compound ranges on request	psi and others on request		

## Order example

Size	Type	System material	Process connection	Connection orientation	Range	Engineering unit	Case material	Options
160	N5500	S	15	L	0/6	MBAR	=	NH

## Ashcroft Instruments GmbH

Germany  
Max-Planck-Str. 1, D-52499 Baesweiler  
P.O. Box 11 20, D-52490 Baesweiler  
Tel.: +49 (0) 2401 808-0, Fax: +49 (0) 2401 808-125

France  
„206“ ZA du Mandinet, 1/3 Rue des Campanules  
F-77185 Lognes  
Tel.: +33 (0) 1 60 37 25 30, Fax: +33 (0) 1 60 37 25 39

Website: [www.ashcroft.eu](http://www.ashcroft.eu)

e-Mail: [sales@ashcroft.com](mailto:sales@ashcroft.com)

United Kingdom  
Unit 5 William James House  
Cowley Road, Cambridge CB4 0WX  
Tel.: +44 (0) 12 23 39 55 00, Fax: +44 (0) 12 23 39 55 01